

# LOGIFLEX SELFS

## Fully powered straddle Logiflex - makes work easy

High flexibility and efficiency - a fully powered straddle Logiflex can transport, lift and handle different goods. All types of pallets - also closed pallets - can be handled.

Large range of optional extras ensures an optimum flexibility.

The design puts focus on the safety and ergonomic working conditions of the user - Logiflex can be adjusted to the individual user, and the ergonomic correct handle ensures the user a relaxed hold.

High quality is ensured through an extended test programme and in cooperation with experts in Health and Safety.



[www.logitrans.com](http://www.logitrans.com)



**Logitrans**  
lifting performance

# LOGIFLEX SELFS

## Technical Specifications

Straddle legs make it possible to handle many different pallet types.

- Full electronic controller ensures
- infinitely variable speed control
  - soft acceleration
  - long operating time per charge

Strong construction ensures a long operating life and low maintenance costs.



Available with side-tilting forks and/or optional extras, e.g. drum turner, remote control, level control, built-in charger.



Possible to operate with the handle upright. Central location of all control buttons.



Adjustable forks are available in many different lengths and types.

| Product (measured in mm)                     | SELS      | SELS  | SELS      | SELS      | SELS      | SELS          | SELS | SELS | SELS |      |
|--|-----------|---|-----------|-----------|-----------|---------------|------|------|------|------|
| Capacity in kg                               | 1000/1200 | 1000/1200   | 1000/1200 | 1000/1200 | 1000      | 1000          | 1000 | 1000 | 1000 |      |
| Lifting height by wrap-over forks            | $h_3$     | 890/870   | 1170/1150 | 1370/1350 | 1570/1550 | 1880          | 2020 | 2420 | 2820 |      |
| Fork length                                  | $l$       | 600*, 800*, 1067, 1150, 1520**  |           |           |           |               |      |      |      |      |
| Overall height                               | $h_1$     | 1330  | 1530      | 1730      | 1930      | 2240          | 1530 | 1730 | 1930 |      |
| Overall width                                | $b_1$     | 166 + $b_4$   |           |           |           |               |      |      |      |      |
| Fork span min./max.                          | $b_5$     | Wrap-over: 350/800, bar and chisel: 230/680 (1200 kg models are only available with chisel forks) |           |           |           |               |      |      |      |      |
| Length without forks                         | $l_2$     | 590   |           |           |           |               |      |      |      |      |
| Overall length by 1150 forks                 | $l_1$     | 1855  |           |           |           | 1865          |      |      |      |      |
| Overall height                               | $h_4$     | Without telescopic mast   |           |           |           |               | 2490 | 2890 | 3290 | 3740 |
| Lowered height, forks                        | $h_{13}$  | Chisel: 45, bar: 65, wrap-over: 65  |           |           |           |               |      |      |      |      |
| Load centre                                  | $c$       | $l/2$   |           |           |           |               |      |      |      |      |
| Width between legs: Cap. 1000/1200 kg        | $b_4$     | 850 - 942, 942 - 1124, 1124 - 1306, 1240-1422*** / 850 - 942, 942 - 1124                          |           |           |           |               |      |      |      |      |
| Fork width                                   | $e$       | Chisel: 100, bar: 100, wrap-over: 163   |           |           |           |               |      |      |      |      |
| Run-in length                                | $l_x$     | 1080 by 1150 and 1067 fork length   |           |           |           |               |      |      |      |      |
| Gangway (pallet: 1200 x 800)                 | $A_{st}$  | 2200 - tests show that 1700 mm are enough - depends on width between straddle legs                |           |           |           |               |      |      |      |      |
| Free lift                                    |           |   |           |           |           |               |      | 190  |      |      |
| Turning angle of the wheels                  |           | 210°  |           |           |           |               |      |      |      |      |
| Driving motor                                |           | 1,2 kW 24 V speed control electronically variable   |           |           |           |               |      |      |      |      |
| Driving speed with/without load              |           | Below 500 mm lift: 5/6 km/h, over 500 mm lift: 3/4 km/h   |           |           |           |               |      |      |      |      |
| Pump motor                                   |           | 1,2 kW 24 V   |           |           |           |               |      |      |      |      |
| Lifting speed with/without load              |           | Cap. 1000 kg: 0,07/0,12 m/s, cap. 1200 kg: 0,04/0,07 m/s  |           |           |           |               |      |      |      |      |
| Lowering speed with/without load             |           | 0,12/0,04 m/s   |           |           |           | 0,12/0,06 m/s |      |      |      |      |
| Weight in kg (no battery): Cap. 1000/1200 kg |           | 392/394   | 411/413   | 417/419   | 421/423   | 429           | 472  | 479  | 488  |      |

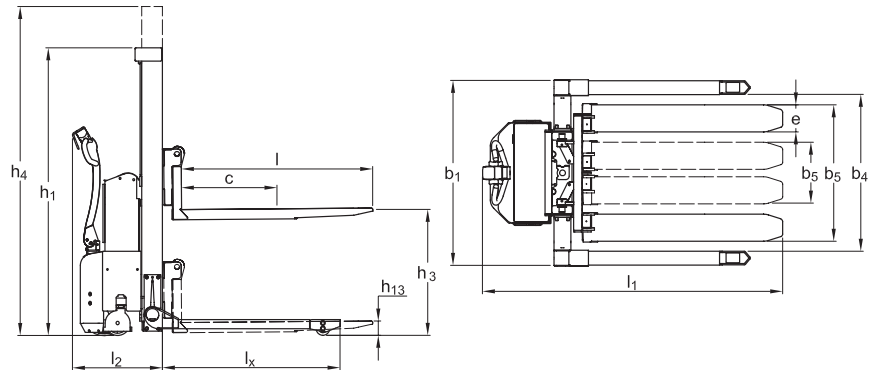
\* Maximum lifting height 1570 mm by 600 mm fork length, maximum lifting height 2420 by 800 mm fork length.

\*\* Reduced capacity 750 kg. Not available for 1200 kg models.

\*\*\* Width between straddle legs of more than 1306 mm: Max. capacity 800 kg. Fork length of 1520 mm is not recommended.



Optimum safety through transparent and impact-resistant safety screen and reduced driving speed in raised position.



We also offer tailor-made solutions. Please ask for further information.



**Logitrans**  
lifting performance